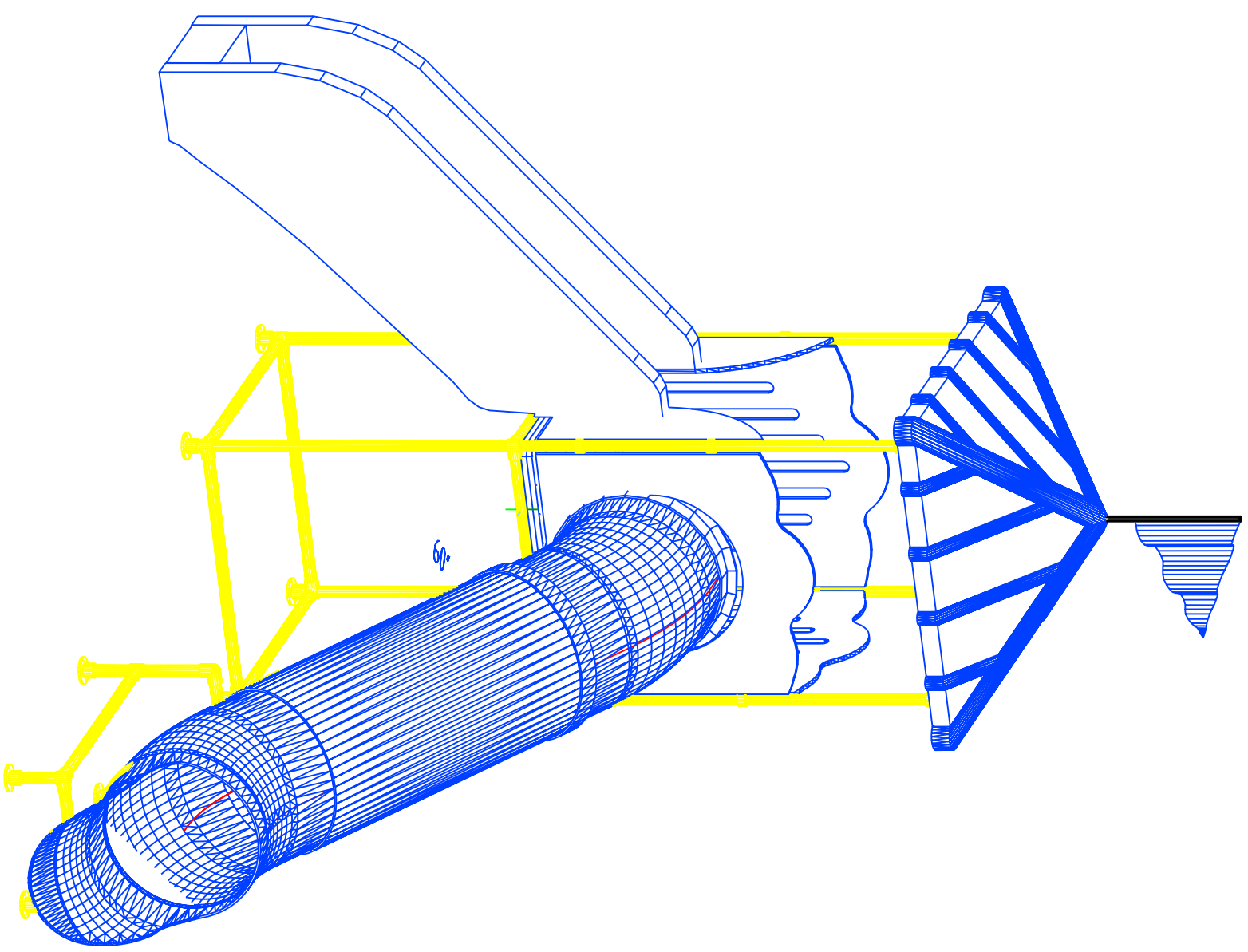
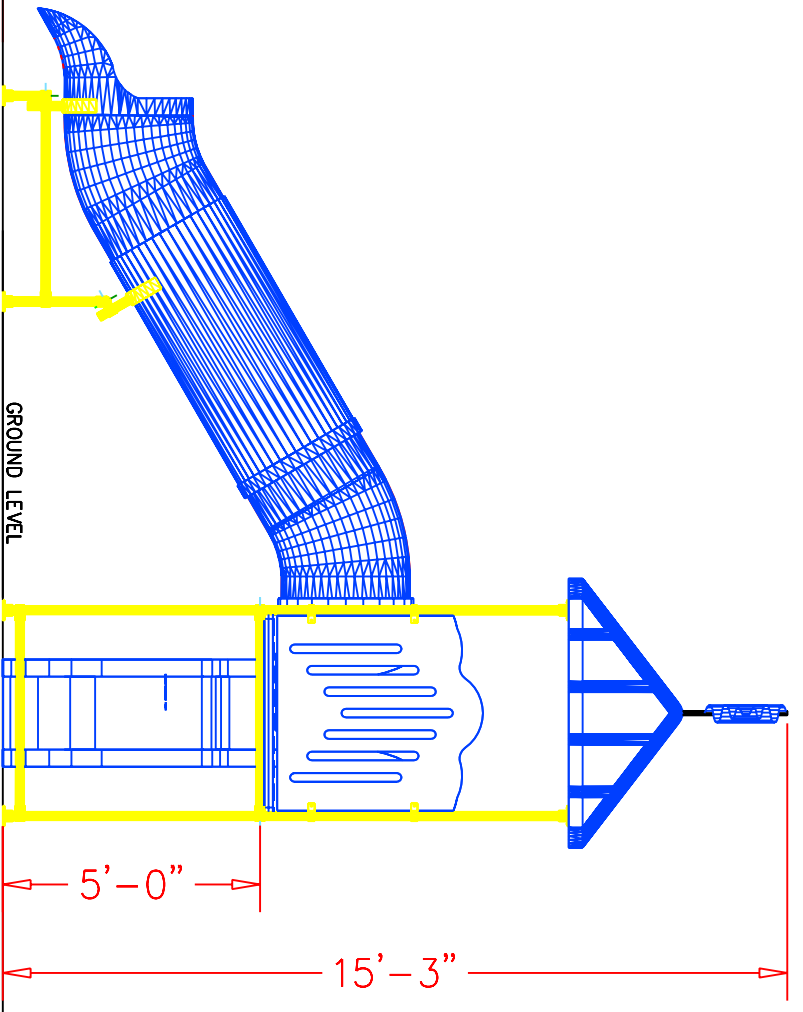
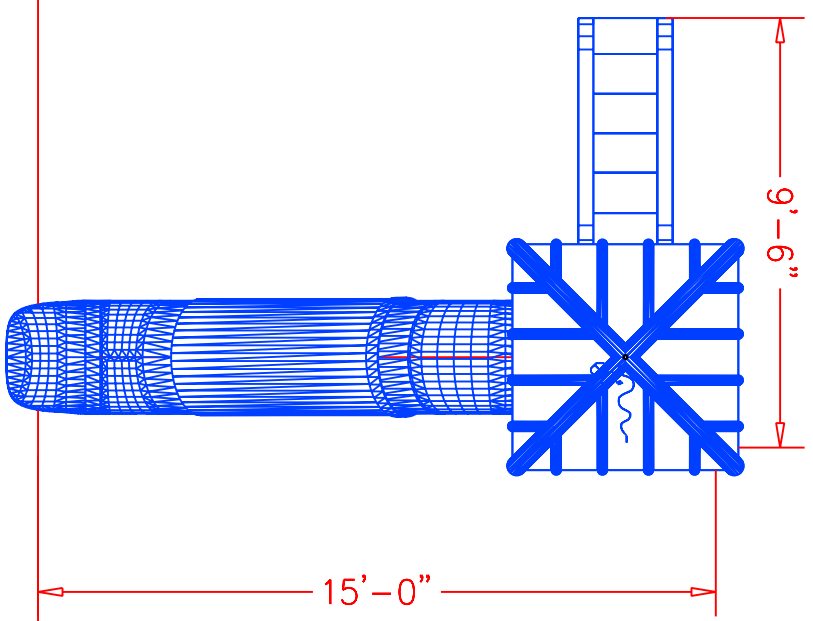


| REV. | DESCRIPTION |
|------|-------------|
| | |





 8114 Isabella Lane
 Brentwood, TN 37027
 1-800-821-4141

PLAYSYSTEM: 5' WATER SLIDE

UNIT SIZE:

DRAWN BY: S.MCGUIRE

DATE: 08/08/2005

SHEET: 1 OF 1

COLOR SCHEME:

THE COLORS SHOWN REPRESENT A PARTICULAR COLOR SCHEME. INDIVIDUAL COMPONENTS MAY DIFFER; HOWEVER, WILL REMAIN WITHIN THE DESIGNATED SCHEME.

MEASUREMENTS TO BE VERIFIED BY
 CUSTOMER PRIOR TO PURCHASE
 APPROVED AS DRAWN

x _____
 (SIGN AND DATE)