

**Mason Corporation**  
**Brentwood, TN.**  
Pool Side Slide Model - 104



8114 Isabella Lane  
Brentwood, TN 37027  
800-821-4141  
615-373-8796 Fax

Project:

104 Pool Side Slide

Drawing Number

0

Drawn By:

Jeff Slobey

Date:

0

**REVISIONS**

Version #:

0

Date:

00/00/0000

Notes:

We recommend a professional installation by a qualified pool side slide installation company.

**Mason Corporation**  
**Brentwood, TN.**  
 Pool Side Slide Model - 104



8114 Isabella Lane  
 Brentwood, TN 37027  
 800-821-4141  
 615-373-8796 Fax

**Project:**  
 104 Pool Side Slide

**Drawing Number**  
 0

**Drawn By:**  
 Jeff Slobey

**Date:**  
 0

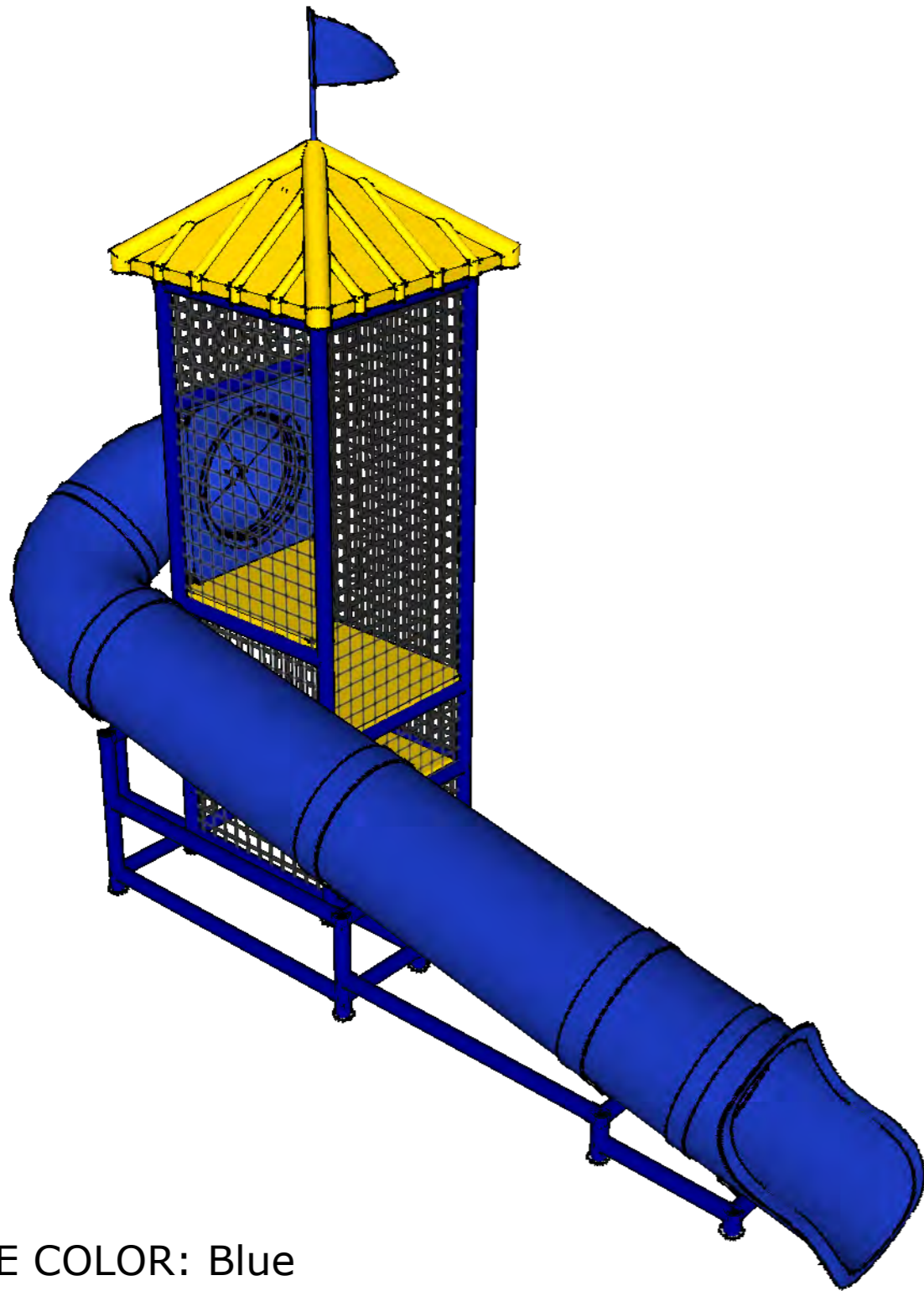
**REVISIONS**

**Version #:**  
 0

**Date:**  
 00/00/0000

**Notes:**  
 We recommend a professional installation by a qualified pool side slide installation company.

**Page:**  
 S2.0

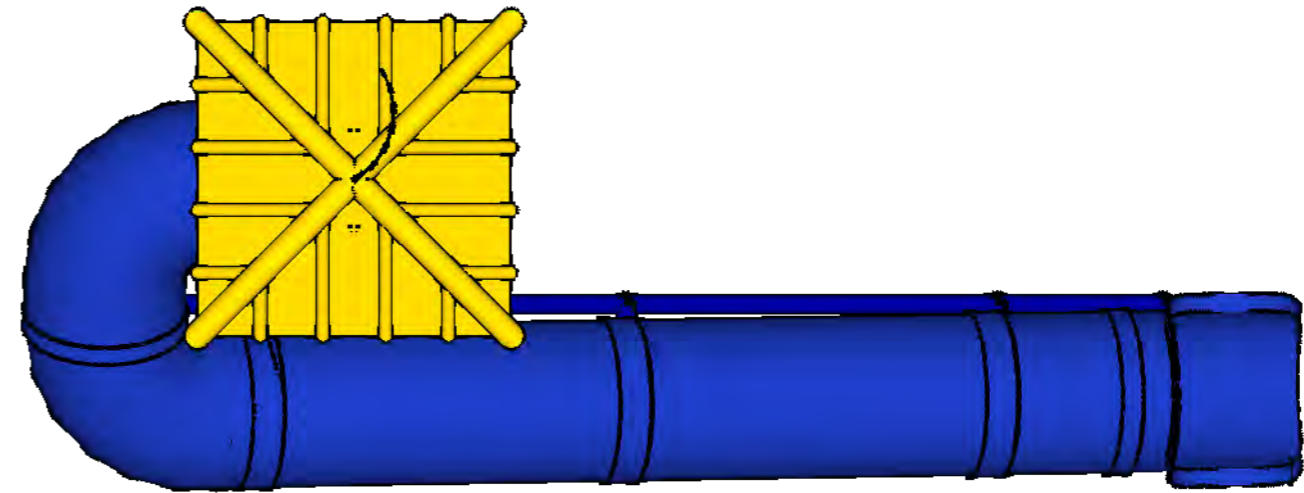


SLIDE COLOR: Blue  
 TUFF PAD COLOR: Blue  
 ROOF COLOR: Yellow  
 FLAG COLOR: Blue  
 DECK COLORS: Yellow

SLIDE LENGTH: 25'

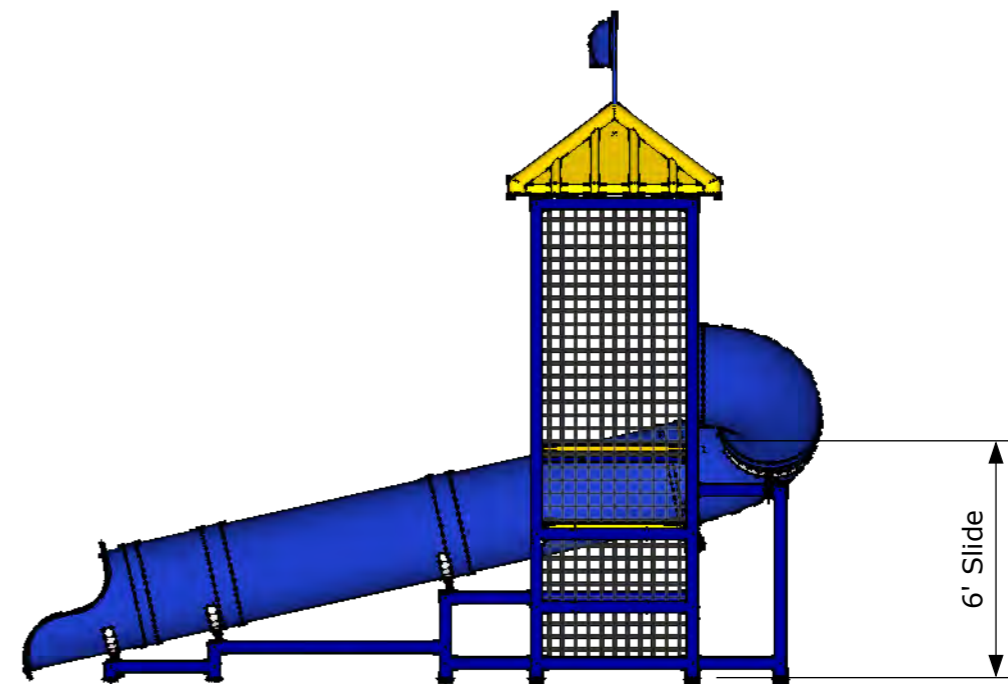
01S2.0

ISOMETRIC VIEW



02S2.0

PLAN LAYOUT



03S2.0

ELEVATION

**Mason Corporation**  
**Brentwood, TN.**  
 Pool Side Slide Model - 104



8114 Isabella Lane  
 Brentwood, TN 37027  
 800-821-4141  
 615-373-8796 Fax

Project:  
 104 Pool Side Slide

Drawing Number  
 0

Drawn By:  
 Jeff Slobey

Date:  
 0

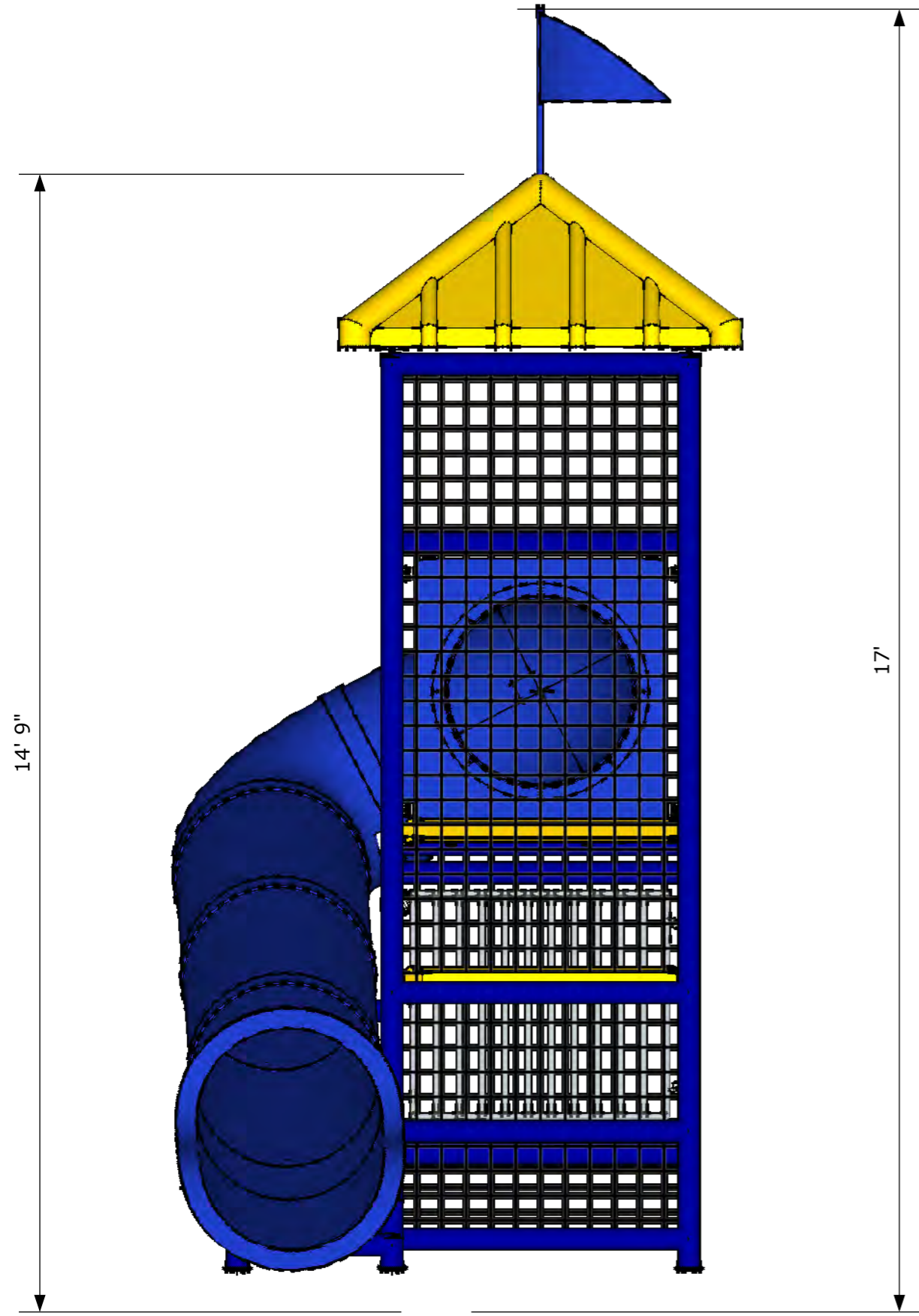
**REVISIONS**

Version #:  
 0

Date:  
 00/00/0000

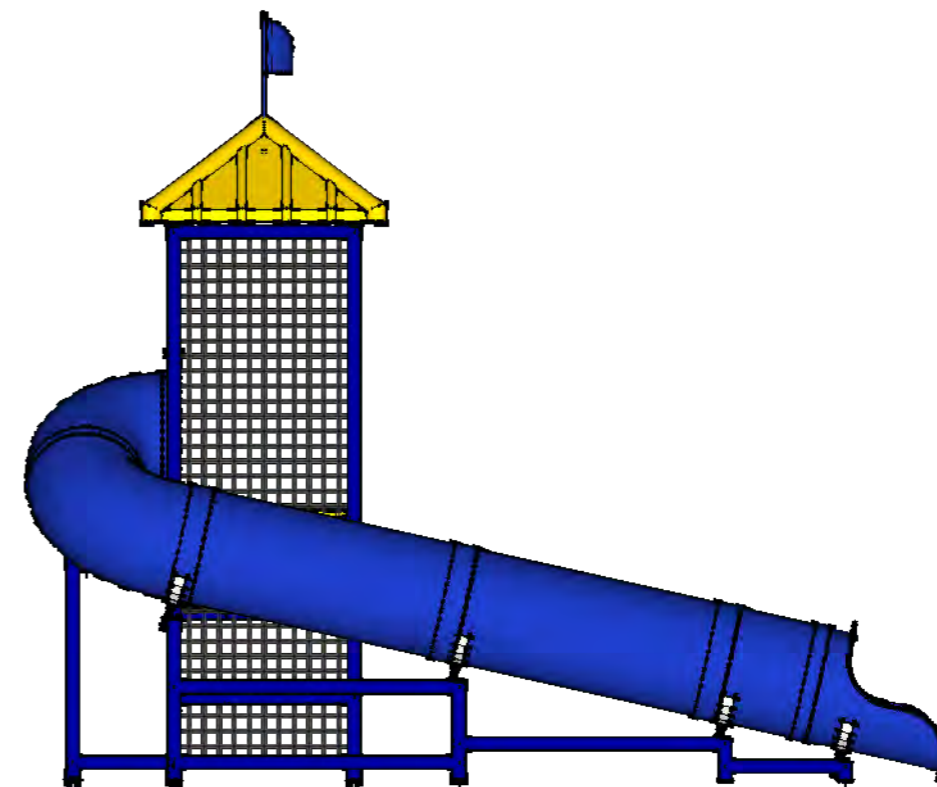
Notes:  
 We recommend a professional installation by a qualified pool side slide installation company.

Page:  
 S3.0



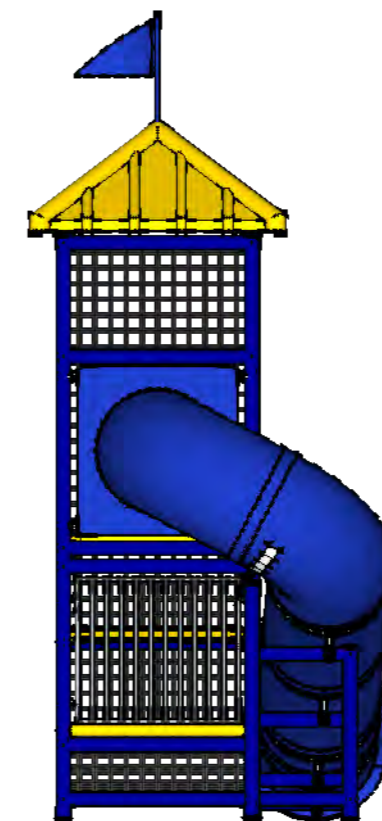
01S3.0

FRONT



02S3.0

ELEVATION



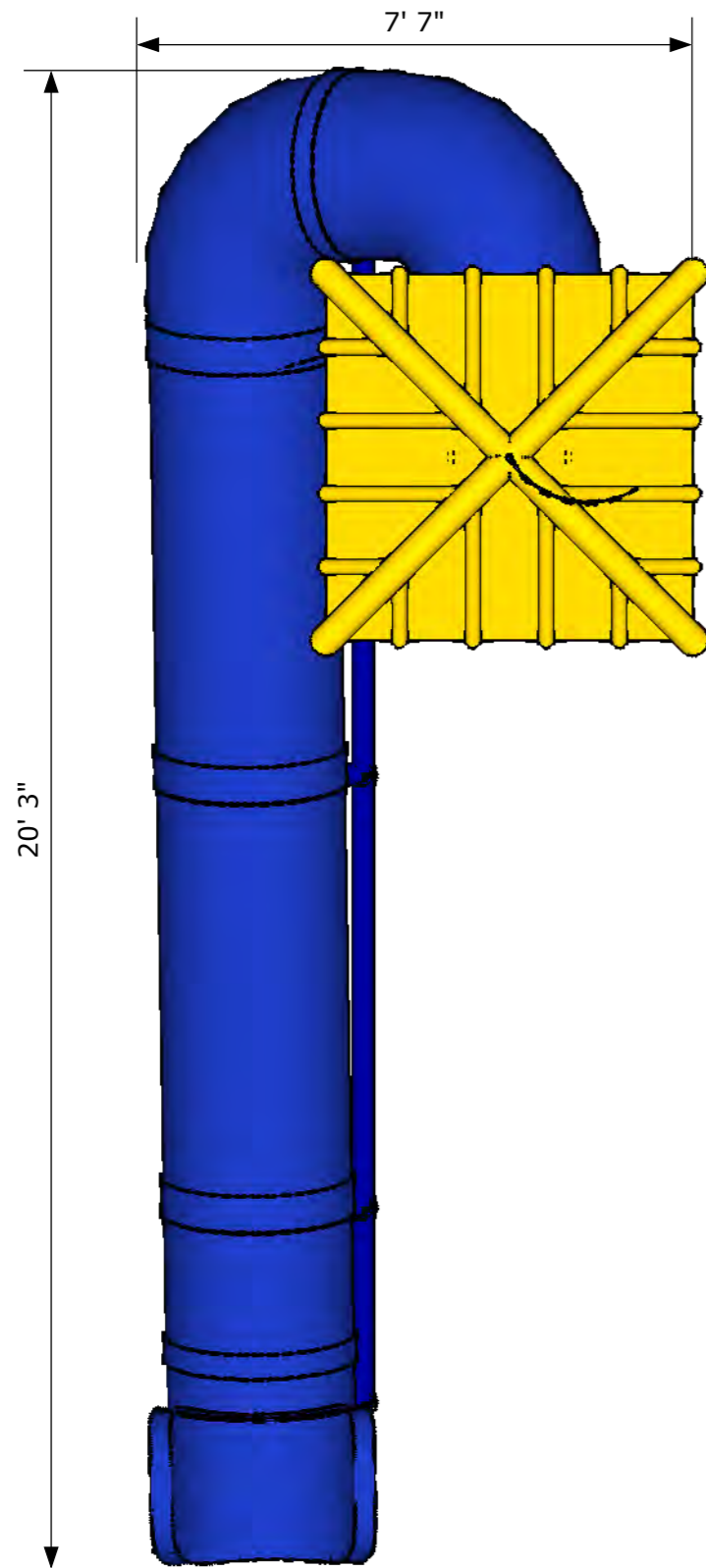
03S3.0

REAR

**Mason Corporation**  
**Brentwood, TN.**  
 Pool Side Slide Model - 104

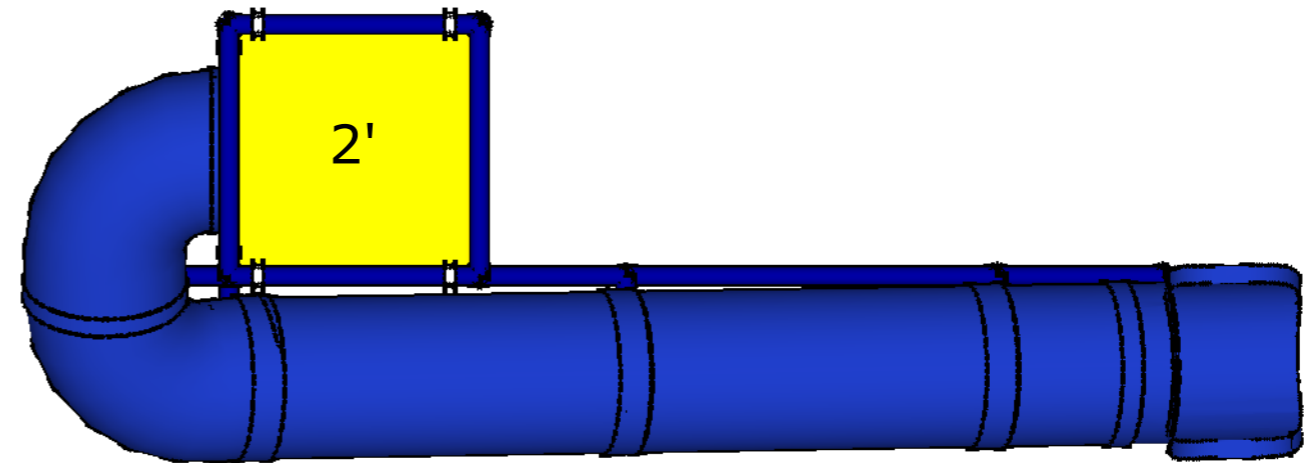


8114 Isabella Lane  
 Brentwood, TN 37027  
 800-821-4141  
 615-373-8796 Fax



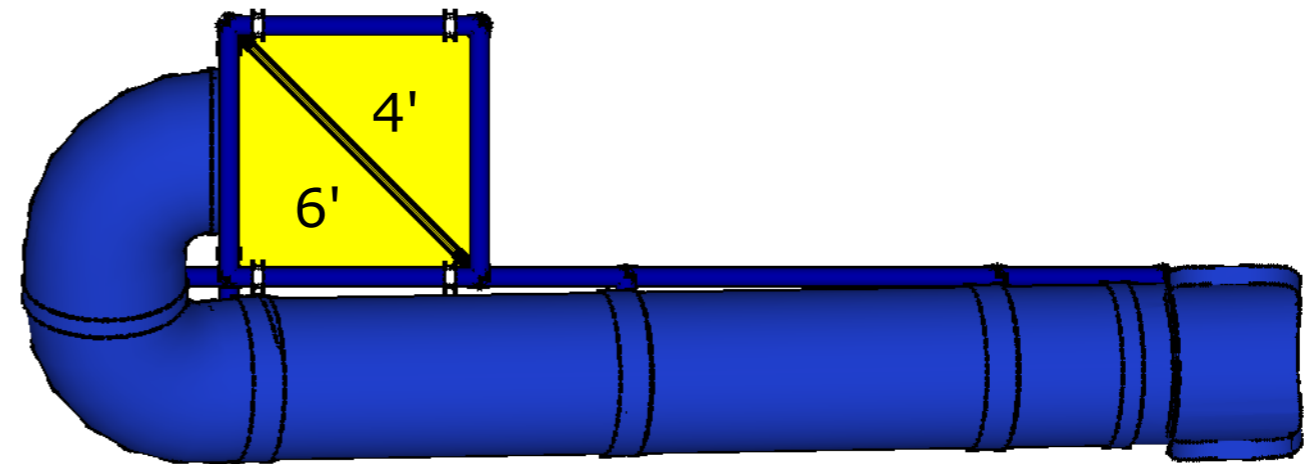
01S4.0

TOP



02S4.0

1ST LEVEL



03S4.0

2ND LEVEL

Project:  
 104 Pool Side Slide

Drawing Number  
 0

Drawn By:  
 Jeff Slobey

Date:  
 0

**REVISIONS**

Version #:  
 0

Date:  
 00/00/0000

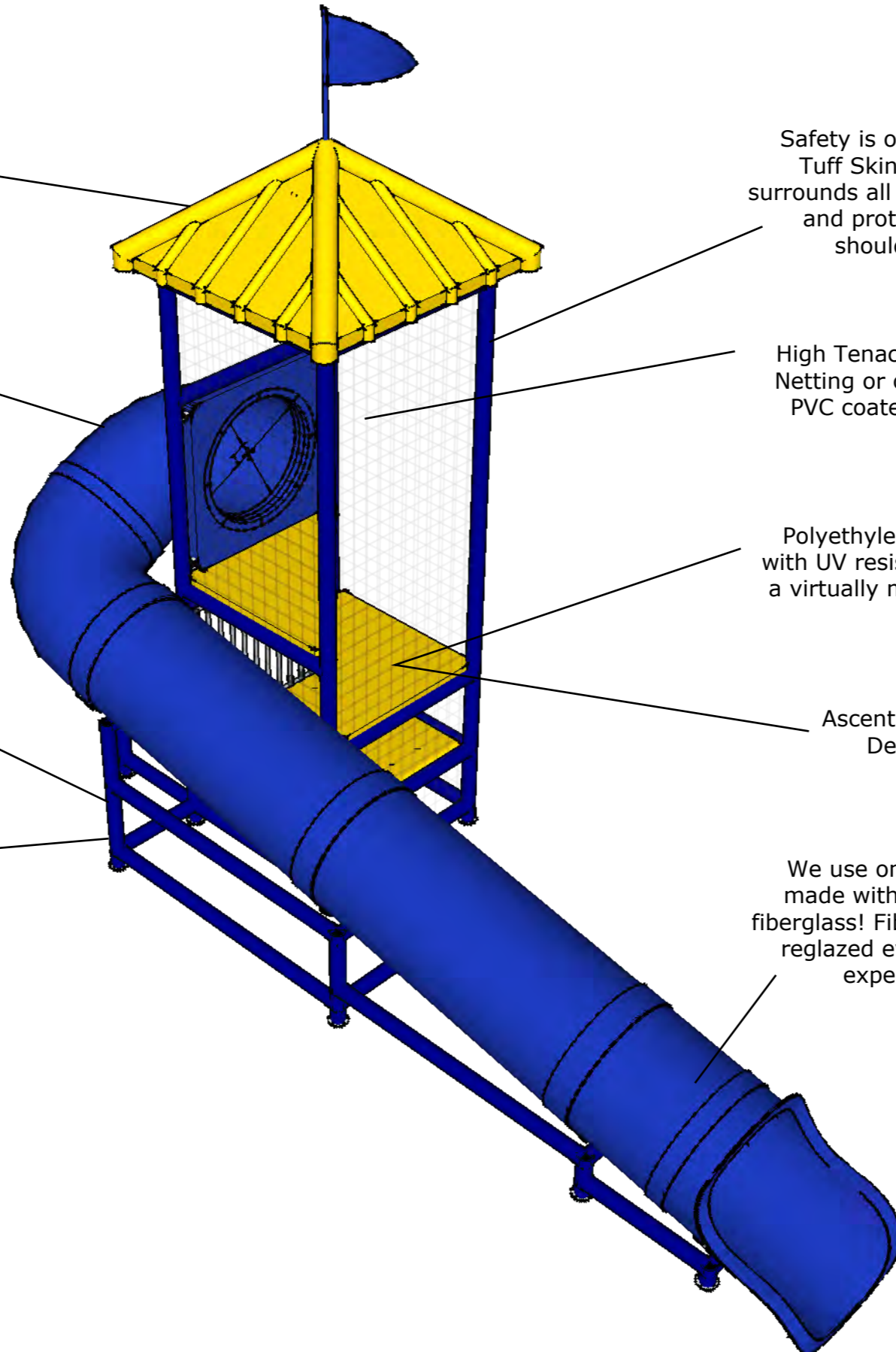
Notes:  
 We recommend a professional installation by a qualified pool side slide installation company.

Page:  
 S4.0

**Mason Corporation**  
**Brentwood, TN.**  
 Pool Side Slide Model - 104



8114 Isabella Lane  
 Brentwood, TN 37027  
 800-821-4141  
 615-373-8796 Fax



Polyethylene Roof made w/ UV resistant resin

Safety is our first priority!  
 Tuff Skin Post Padding surrounds all of the metal pipes and protects the kids should they fall.

Our slides only require 5 to 10 gallons per minute to operate. Fiberglass slides require many hundreds. By using less water you save money on both operations and maintenance

High Tenacity Polypropylene Netting or optional No-Climb PVC coated Steel Tuff Net.

State of the Art Aluminum Magnesium Pipe Connecters like those used at NASA are used to connect the Aluminum Pipes.

Polyethylene Decks made with UV resistant resin ensure a virtually maintenance free life.

We use T6 - 6061, Schedule 80 Aluminum Pipe not Galvanized Steel Pipe like our competitors. No matter how great the paint, all steel structures will eventually rust!

Ascent consists of 2' Deck Climbs

We use only Polyethylene Tubes made with UV resistant resin not fiberglass! Fiberglass slides need to be reglazed every few years and are expensive to maintain.

Project:

104 Pool Side Slide

Drawing Number

0

Drawn By:

Jeff Slobey

Date:

0

**REVISIONS**

Version #:

0

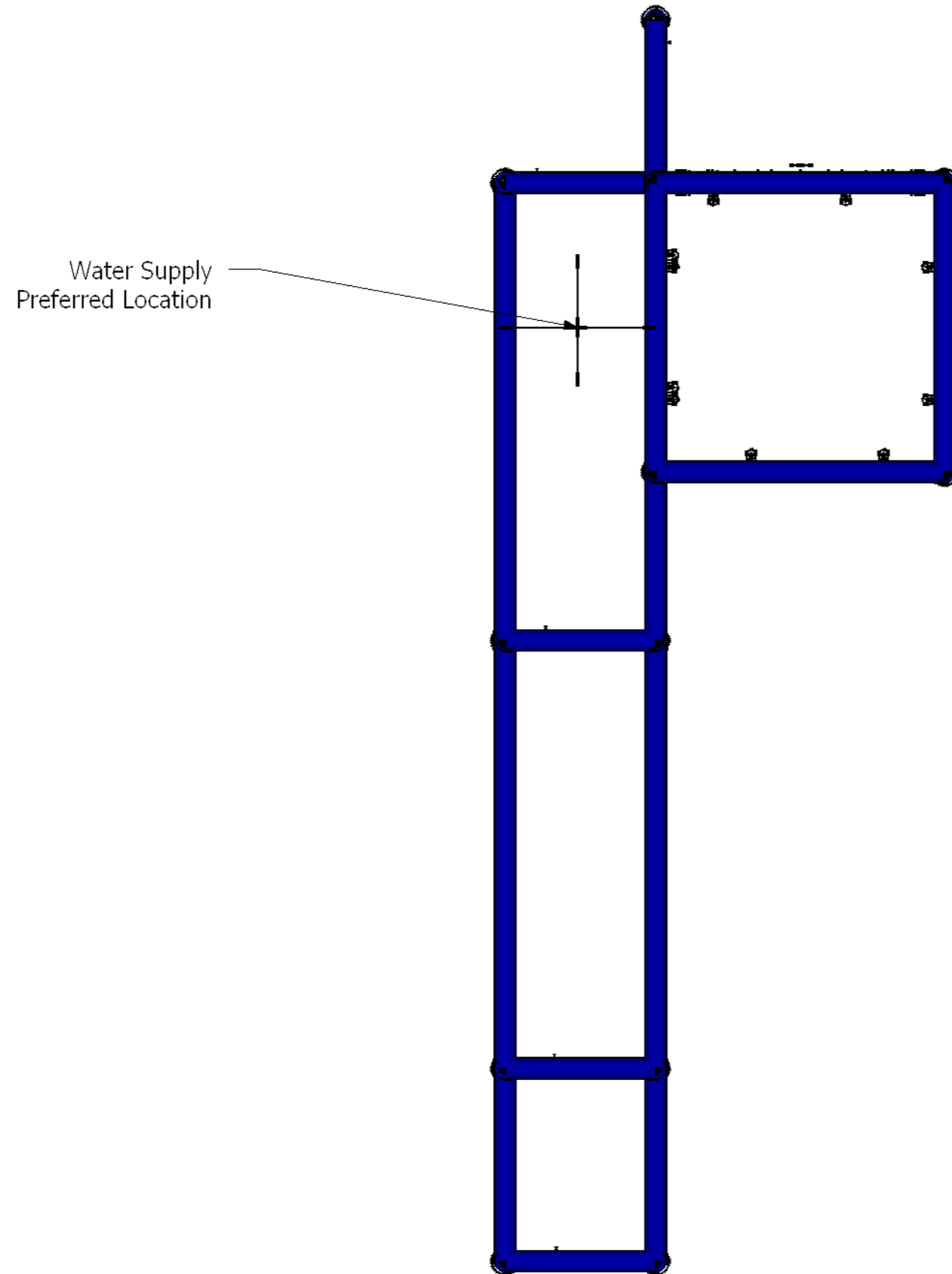
Date:

00/00/0000

Notes:

We recommend a professional installation by a qualified pool side slide installation company.

**Mason Corporation**  
**Brentwood, TN.**  
Pool Side Slide Model - 104



8114 Isabella Lane  
Brentwood, TN 37027  
800-821-4141  
615-373-8796 Fax

**Project:**  
104 Pool Side Slide

**Drawing Number**  
0

**Drawn By:**  
Jeff Slobey

**Date:**  
0

**REVISIONS**

**Version #:**  
0

**Date:**  
00/00/0000

**Notes:**  
We recommend a professional installation by a qualified pool side slide installation company.

**Page:**  
LAYOUT

**Mason Corporation**  
**Brentwood, TN.**  
 Pool Side Slide Model - 104

**PLASTIC COLORS**

RED CLAY	RED	ORANGE	YELLOW	PRIMARY YELLOW	SPRING GREEN	LIME GREEN
STANDARD GREEN	FOREST GREEN	COUNTRY GREEN	KENTUCKY GREEN	LIGHT TEAL	TEAL BLUE	SKY BLUE
PACIFIC BLUE	BLUE	PURPLE	FUSCHIA	PINK	NATURAL	WHITE*
LIGHT GREY	GREY	GRAPHITE	BLACK	TAN	LATTE	OAK
		SOLID TERRA COTTA	MUD	SANDSTONE*		

Exact colors may vary due to differences in how monitors and printers display colors.  
 \*Sandstone and White require additional upcharge.

**POST PADDING COLORS**



**COLOR SELECTION**



8114 Isabella Lane  
 Brentwood, TN 37027  
 800-821-4141  
 615-373-8796 Fax

Project:  
 104 Pool Side Slide

Drawing Number  
 0

Drawn By:  
 Jeff Slobey

Date:  
 0

**REVISIONS**

Version #:  
 0

Date:  
 00/00/0000

Notes:  
 We recommend a professional installation by a qualified pool side slide installation company.

Page:  
 COLORS