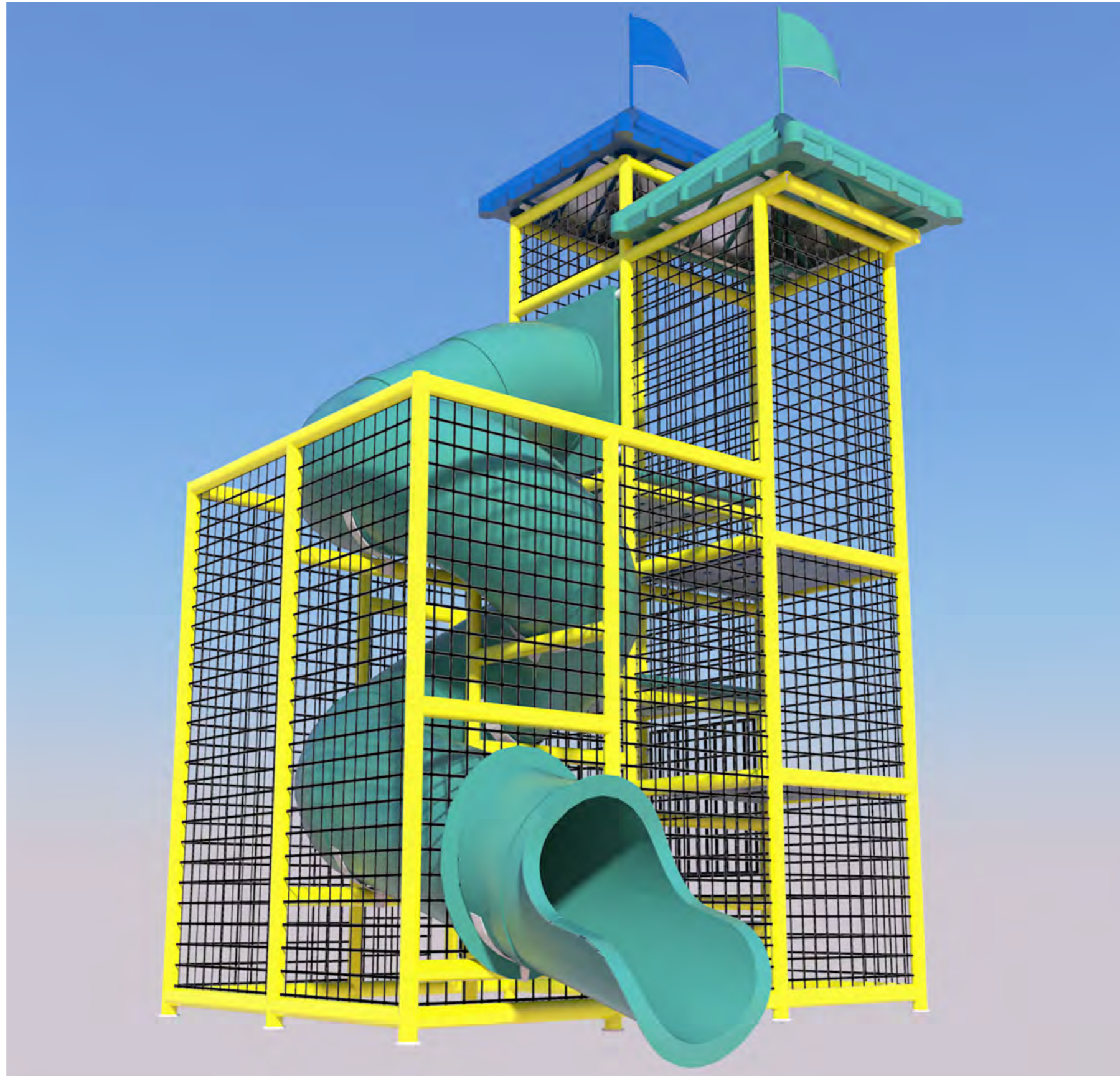


Mason Corporation

203 Pool Side Slide



8114 Isabella Lane
Brentwood, TN 37027
800-821-4141
615-373-8796 Fax

Project:
Project Name
203 Pool Side Slide
City, State

Drawn By:
Jeff Slobey

Date:
2/3/2012

REVISIONS

Version #:
1

Date:
2/3/2012

Notes:
We recommend a professional installation by a qualified pool side slide installation company.

Mason Corporation

203 Pool Side Slide



8114 Isabella Lane
 Brentwood, TN 37027
 800-821-4141
 615-373-8796 Fax

Project:
 Project Name
 203 Pool Side Slide
 City, State

Drawn By:
 Jeff Slobey

Date:
 2/3/2012

REVISIONS

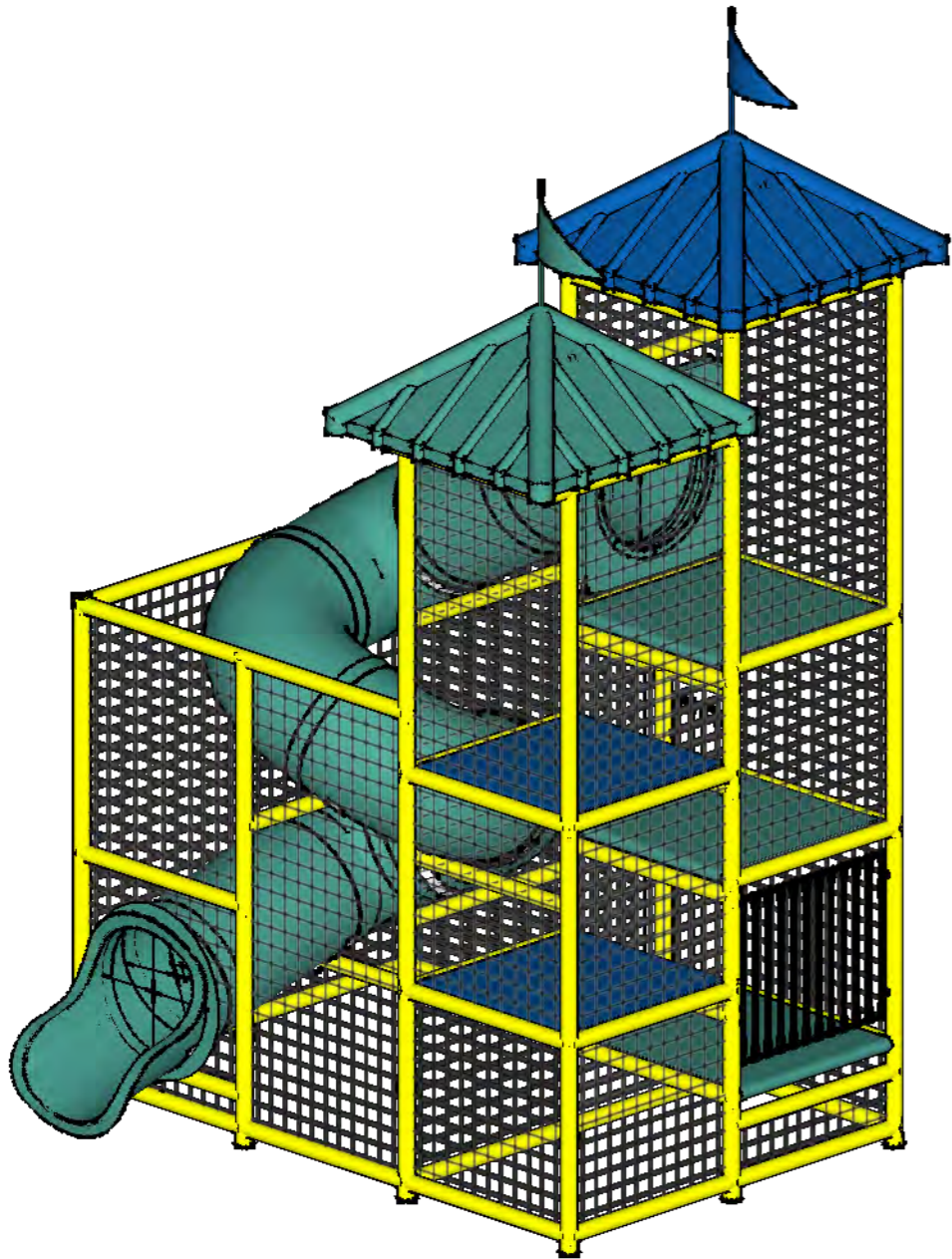
Version #:
 1

Date:
 2/3/2012

Notes:

We recommend a professional installation by a qualified pool side slide installation company.

Page:
 S2.0

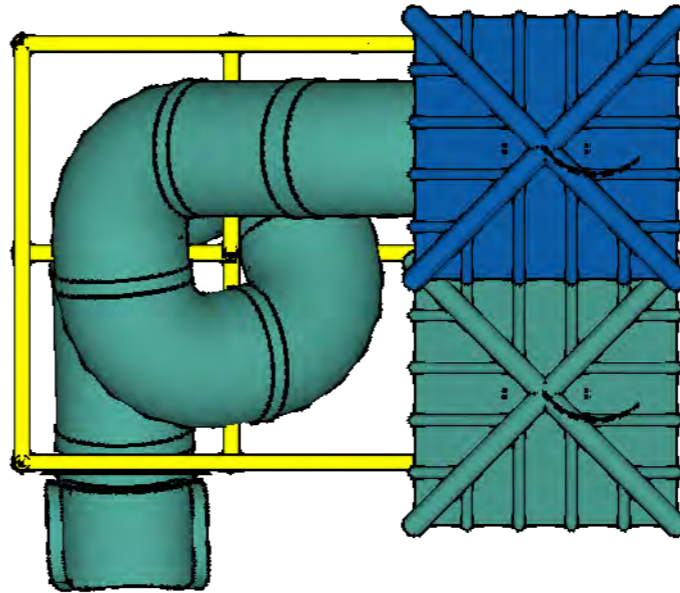


SLIDE COLOR: Light Teal
 TUFF PAD COLOR: Yellow
 ROOF COLORS: Alternating
 FLAG COLORS: Match Roof
 DECK COLORS: Alternating

SLIDE LENGTH: 30'

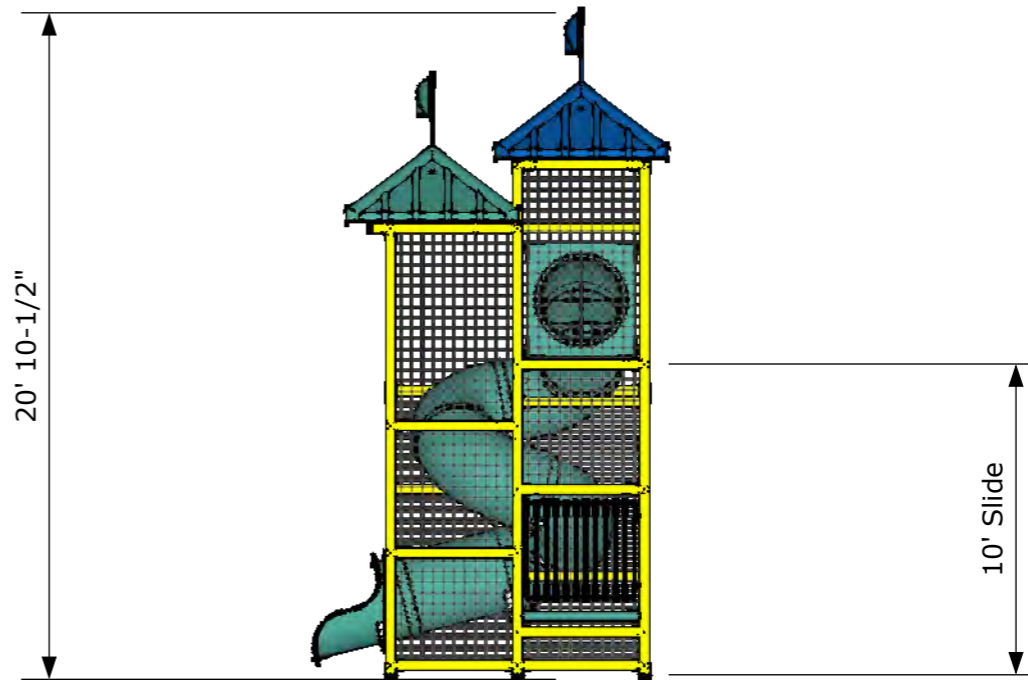
01S2.0

ISOMETRIC VIEW



02S2.0

PLAN LAYOUT



03S2.0

ELEVATION

Mason Corporation

203 Pool Side Slide



8114 Isabella Lane
 Brentwood, TN 37027
 800-821-4141
 615-373-8796 Fax

Project:
 Project Name
 203 Pool Side Slide
 City, State

Drawn By:
 Jeff Slobey

Date:
 2/3/2012

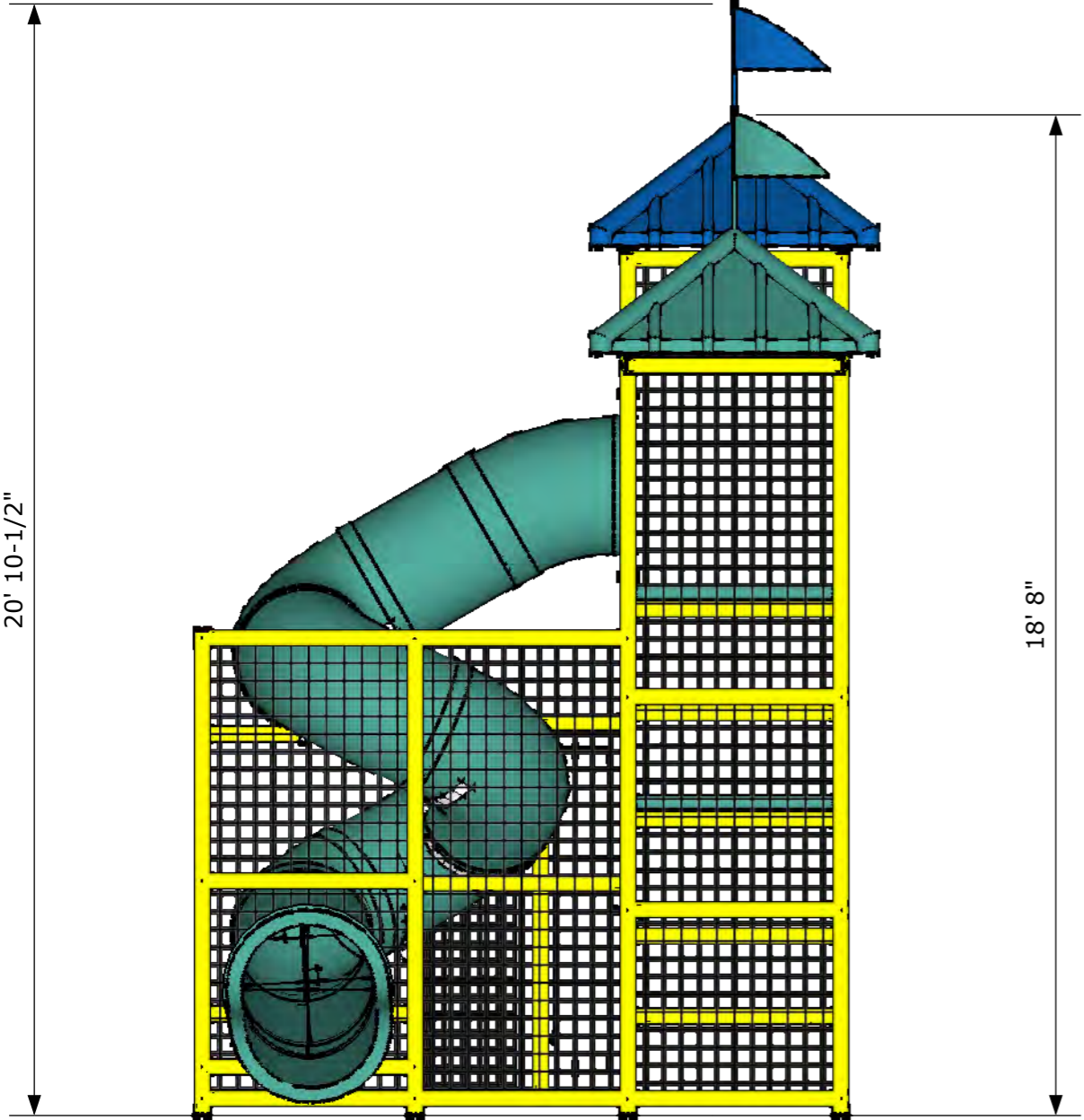
REVISIONS

Version #:
 1

Date:
 2/3/2012

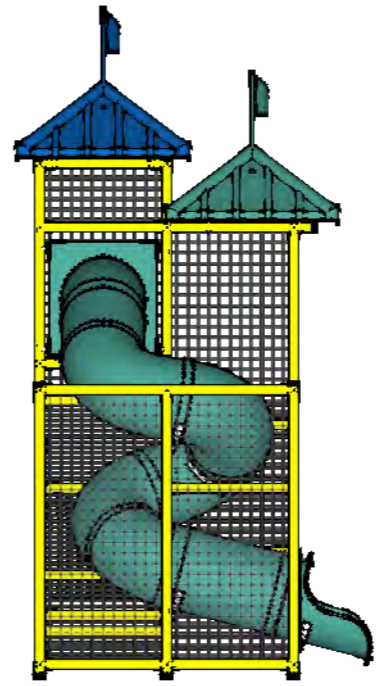
Notes:
 We recommend a professional installation by a qualified pool side slide installation company.

Page:
 S3.0



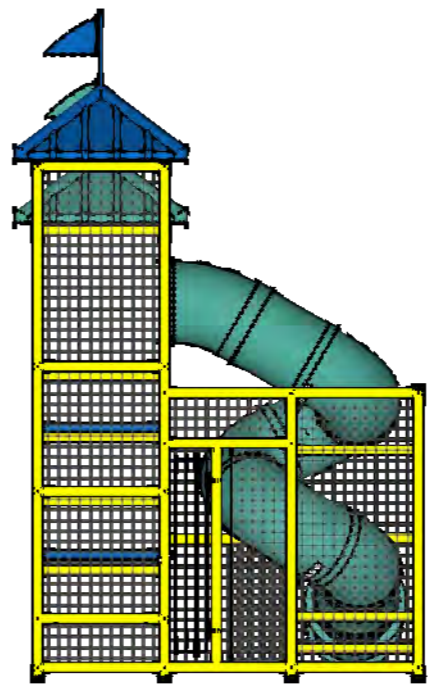
01S3.0

FRONT



02S3.0

ELEVATION



03S3.0

REAR

Mason Corporation

203 Pool Side Slide



8114 Isabella Lane
 Brentwood, TN 37027
 800-821-4141
 615-373-8796 Fax

Project:
 Project Name
 203 Pool Side Slide
 City, State

Drawn By:
 Jeff Slobey

Date:
 2/3/2012

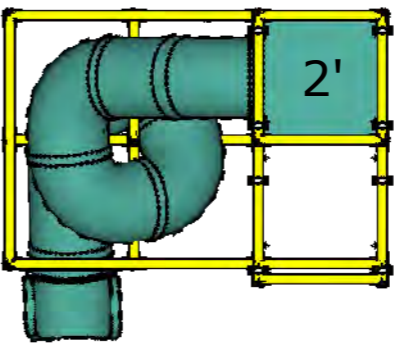
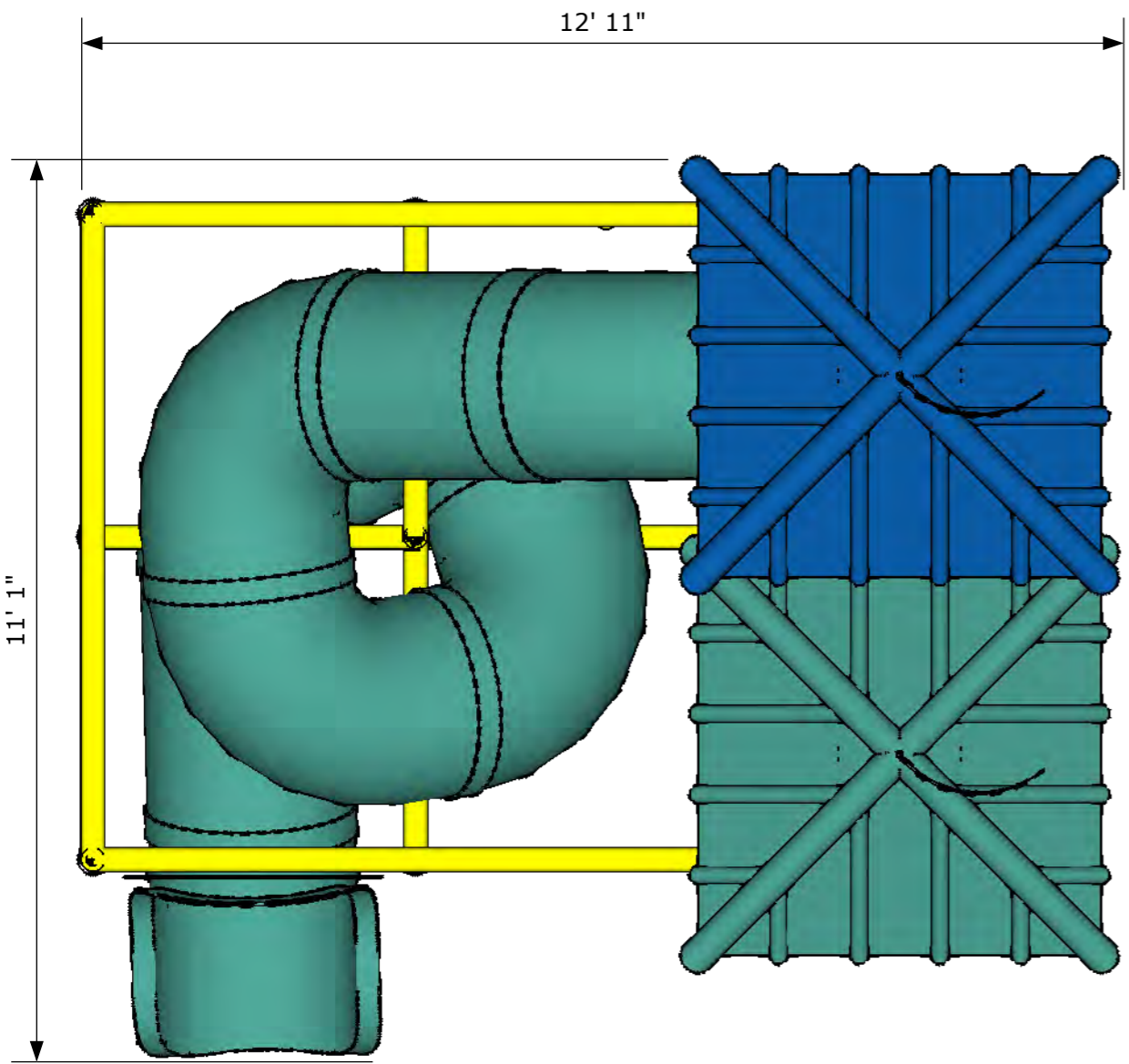
REVISIONS

Version #:
 1

Date:
 2/3/2012

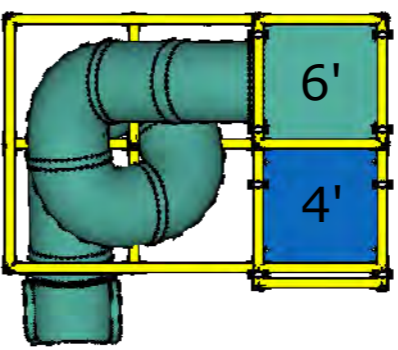
Notes:
 We recommend a professional installation by a qualified pool side slide installation company.

Page:
 S4.0



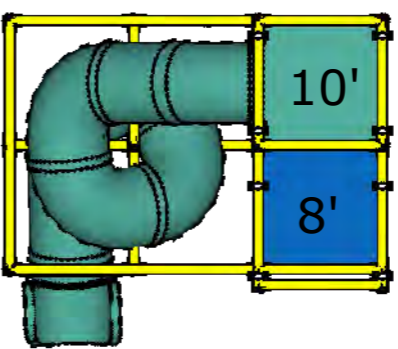
02S4.0

1ST LEVEL



03S4.0

2ND LEVEL



04S4.0

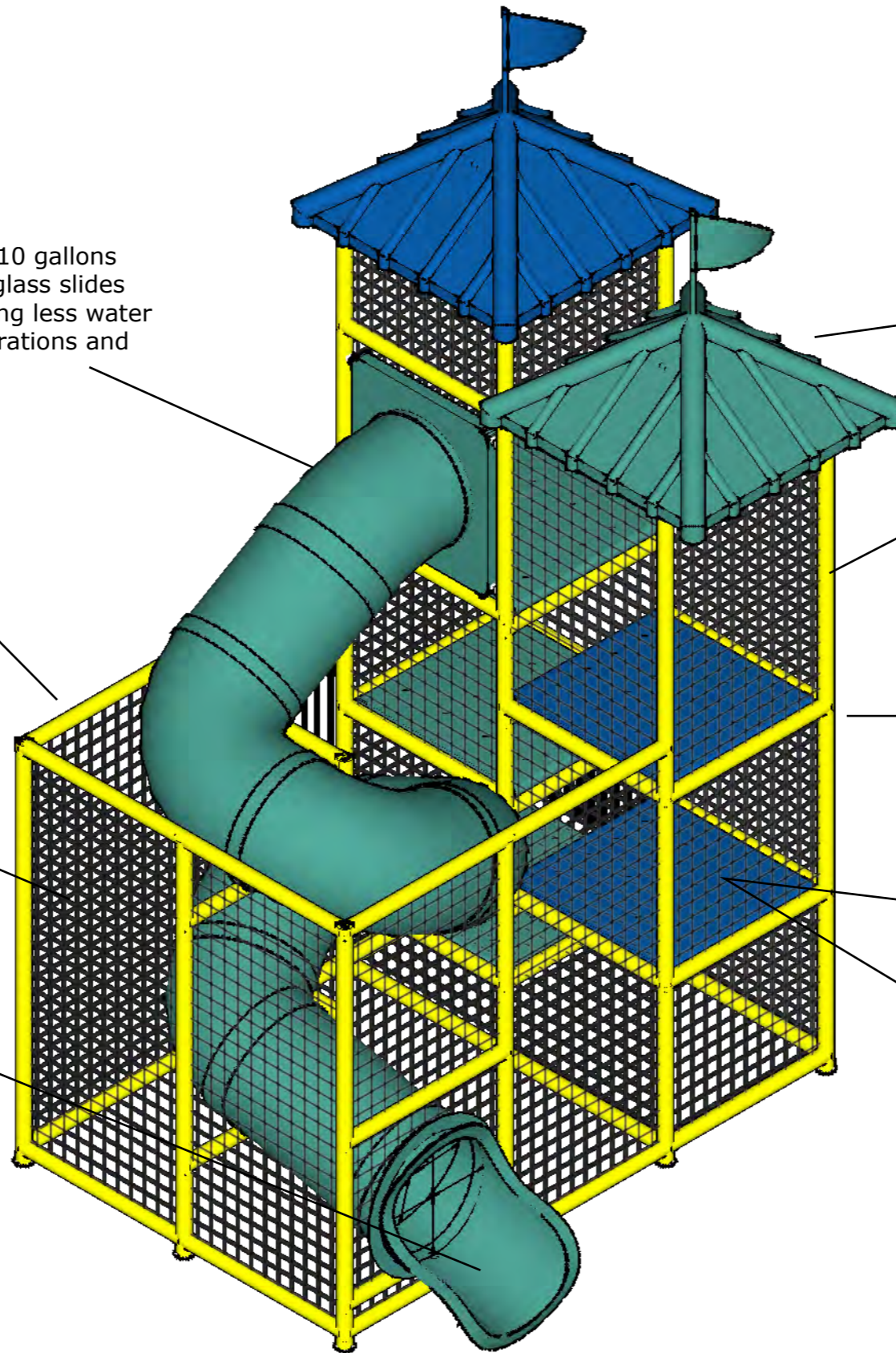
3RD LEVEL

01S4.0

TOP

Mason Corporation

203 Pool Side Slide



Our slides only require 5 to 10 gallons per minute to operate. Fiberglass slides require many hundreds. By using less water you save money on both operations and maintenance

Safety is our first priority!
Tuff Skin Post Padding surrounds all of the metal pipes and protects the kids should they fall.

High Tenacity Polypropylene Netting or optional No-Climb PVC coated Steel Tuff Net.

We use only Polyethylene Tubes made with UV resistant resin not fiberglass! Fiberglass slides need to be reglazed every few years and are expensive to maintain.

Polyethylene Roof made w/ UV resistant resin

We use T6 - 6061, Schedule 80 Aluminum Pipe not Galvanized Steel Pipe like our competitors. No matter how great the paint, all steel structures will eventually rust!

State of the Art Aluminum Magnesium Pipe Connectors like those used at NASA are used to connect the Aluminum Pipes.

Polyethylene Decks made with UV resistant resin ensure a virtually maintenance free life.

Ascent consists of 2' Deck Climbs



8114 Isabella Lane
Brentwood, TN 37027
800-821-4141
615-373-8796 Fax

Project:
Project Name
203 Pool Side Slide
City, State

Drawn By:
Jeff Slobey

Date:
2/3/2012

REVISIONS

Version #:
1

Date:
2/3/2012

Notes:
We recommend a professional installation by a qualified pool side slide installation company.

Mason Corporation

203 Pool Side Slide



8114 Isabella Lane
Brentwood, TN 37027
800-821-4141
615-373-8796 Fax

Project:
Project Name
203 Pool Side Slide
City, State

Drawn By:
Jeff Slobey

Date:
2/3/2012

REVISIONS

Version #:
1

Date:
2/3/2012

Notes:
We recommend a professional installation by a qualified pool side slide installation company.

Page:

Mason Corporation

203 Pool Side Slide

PLASTIC COLORS

RED CLAY	RED	ORANGE	YELLOW	PRIMARY YELLOW	SPRING GREEN	LIME GREEN
STANDARD GREEN	FOREST GREEN	COUNTRY GREEN	KENTUCKY GREEN	LIGHT TEAL	TEAL BLUE	SKY BLUE
PACIFIC BLUE	BLUE	PURPLE	FUSCHIA	PINK	NATURAL	WHITE*
LIGHT GREY	GREY	GRAPHITE	BLACK	TAN	LATTE	OAK
		SOLID TERRA COTTA	MUD	SANDSTONE*		

Exact colors may vary due to differences in how monitors and printers display colors.

*Sandstone and White require additional upcharge.

POST PADDING COLORS



COLOR SELECTION



8114 Isabella Lane
Brentwood, TN 37027
800-821-4141
615-373-8796 Fax

Project:
Project Name
203 Pool Side Slide
City, State

Drawn By:
Jeff Slobey

Date:
2/3/2012

REVISIONS

Version #:
1

Date:
2/3/2012

Notes:
We recommend a professional installation by a qualified pool side slide installation company.

Page:
COLORS