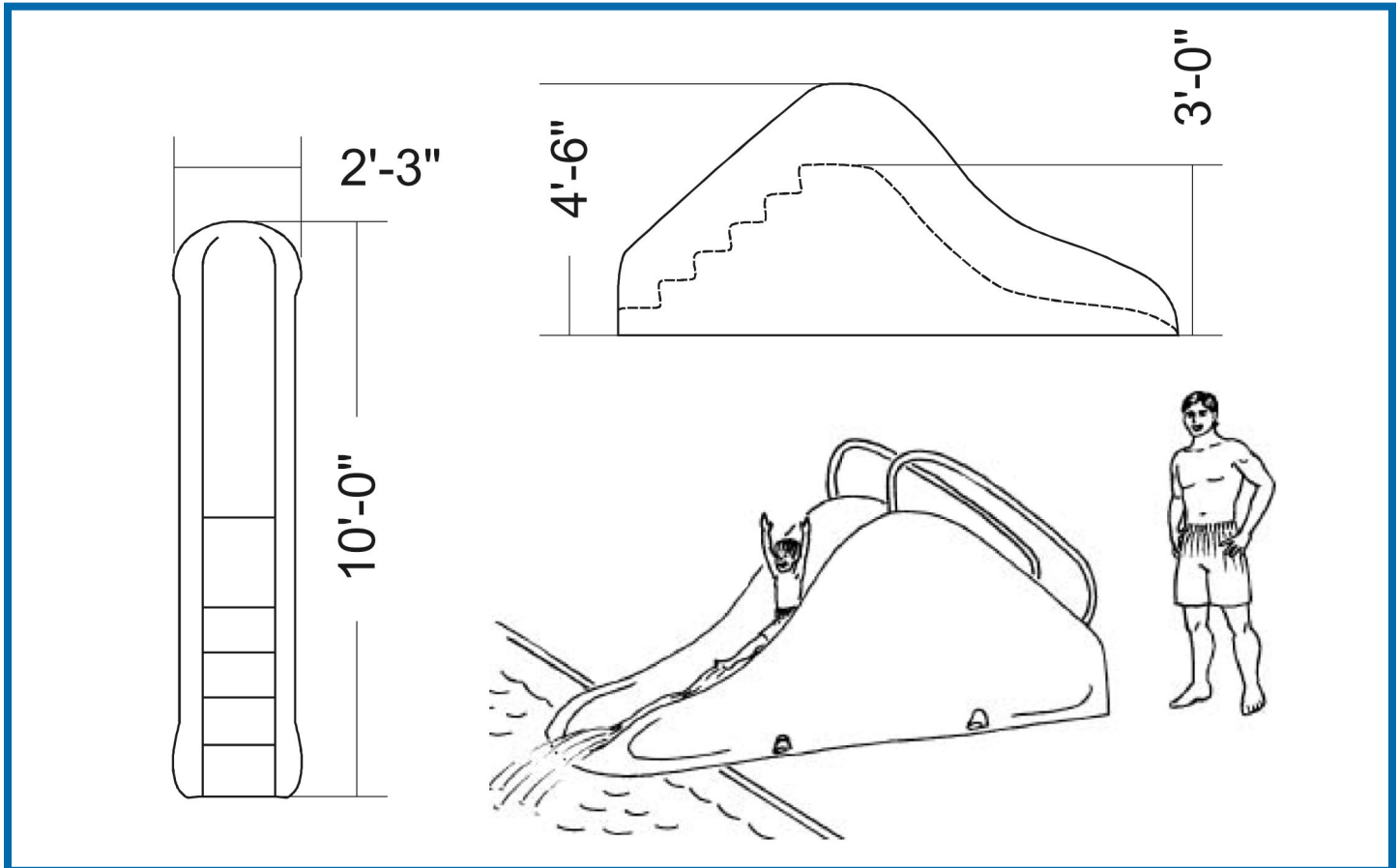


# Basic Small Slide

Model #9002



## Features

- All fiberglass construction with gently rounded edges
- Grounded stainless steel handrails
- Easy PVC water hookup inside
- Permanent mounting points for easy installation
- Non-slip surfaces on steps
- Hollow body
- Water sprays on slide
- Any color and paint scheme available

**Approximate Weight: 170 lbs. • Recommended 5-15 GPM**

*Your Mason Theme Slide is fit to specification for In-Water and Pool Deck installation. It can be cut to accommodate water depths from 0 inches to 6 feet, depending on local ordinances and codes. Landing Pads are recommended for water depths less than 8 inches.*