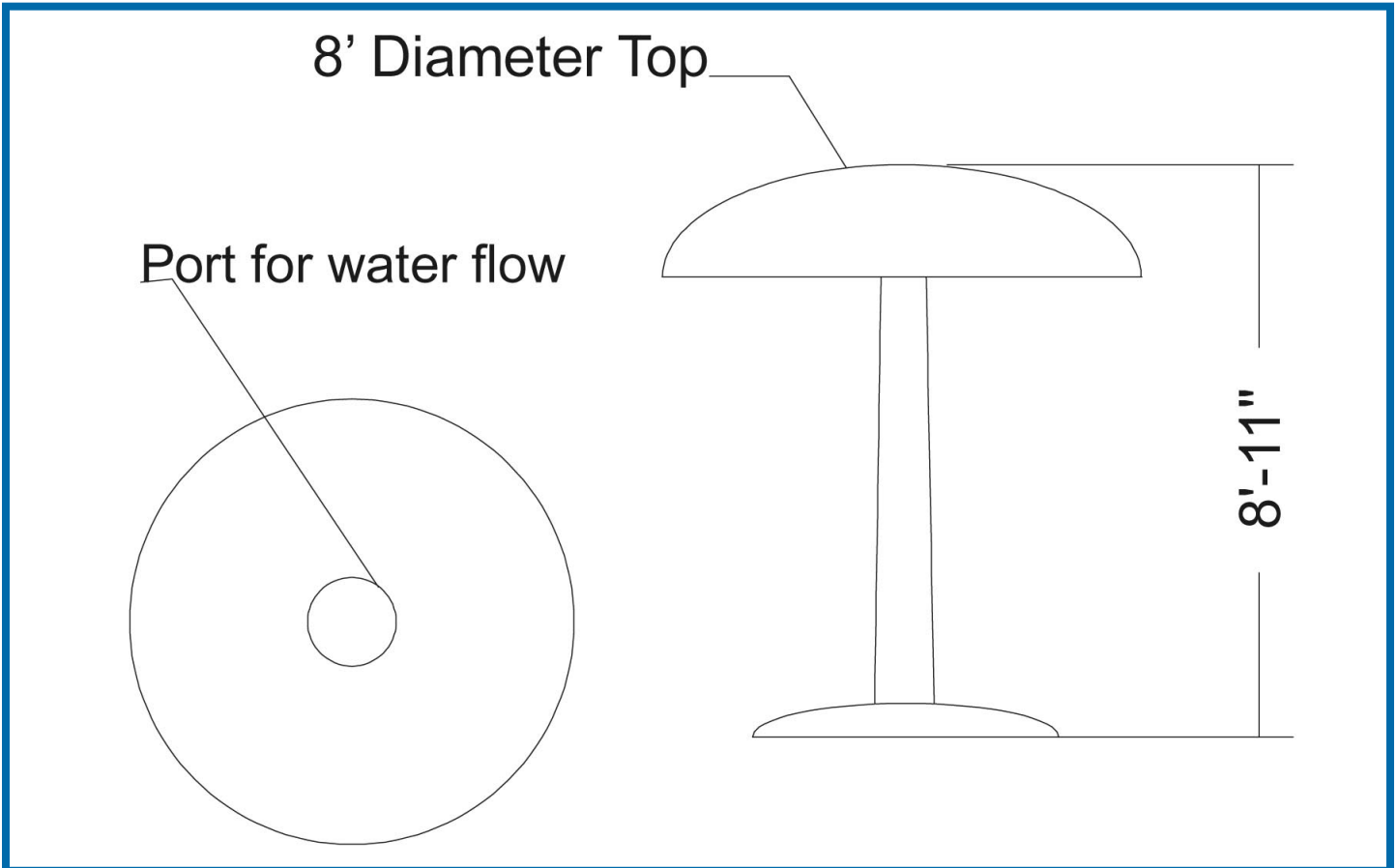




Rainmaker Basic

Model #9081



Features

- All fiberglass construction with gently rounded edges ♦ Hollow body
- For wet or dry application ♦ Internal valves for easy water flow regulation
- Permanent mounting points for easy installation ♦ Any color and paint scheme available
- Approximate Weight: 270 lbs. • Recommended 35-70 GPM**

Your Mason Theme Slide is fit to specification for In-Water and Pool Deck installation. It can be cut to accommodate water depths from 0 inches to 6 feet, depending on local ordinances and codes. Landing Pads are recommended for water depths less than 8 inches.